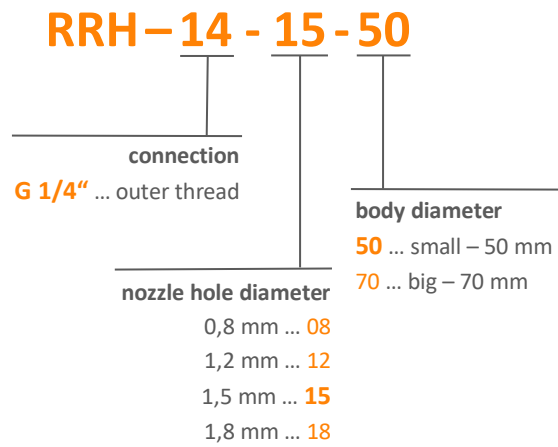


# type RRH „HURRICANE“ - shockwave rotary nozzle

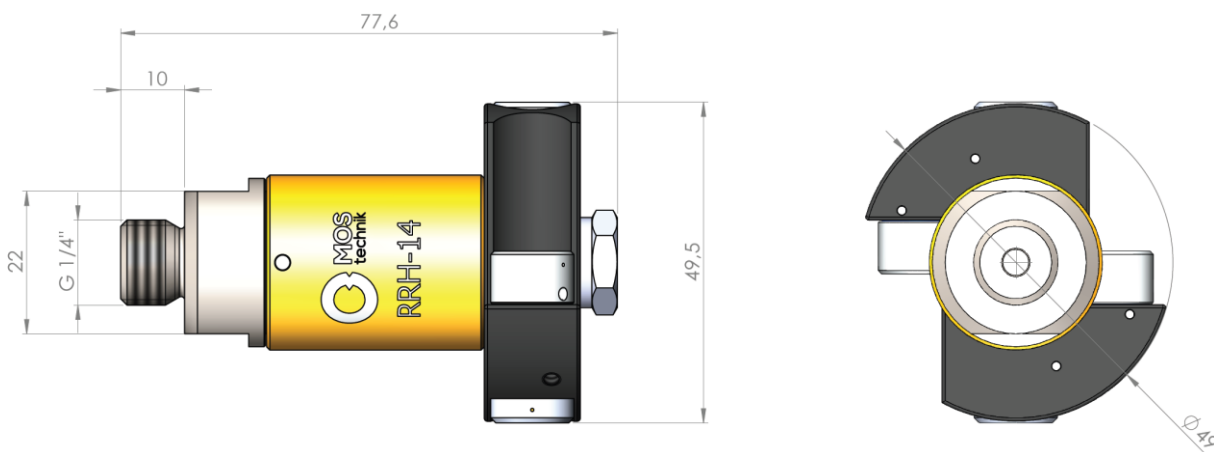


## technical specification

medium	.....	compressed air filtered 25 µm
working pressure	.....	4 to 8 bar
noise level	.....	73 to 83 dB
operating temperature	.....	5 – 50°C
weight	.....	172 g (small) / 207 g (big)
pneumatic connection	.....	G 1/4 "
material	.....	POM / aluminium / stainless steel

Inlet pressure [bar]	Compressed air consumption [NI/min]			
	for nozzle hole Ø 0.8 mm	for nozzle hole Ø 1.2 mm	for nozzle hole Ø 1.5 mm	for nozzle hole Ø 1.8 mm
4	95	118	180	215
6	115	140	240	290
8	135	175	310	375

## dimensions



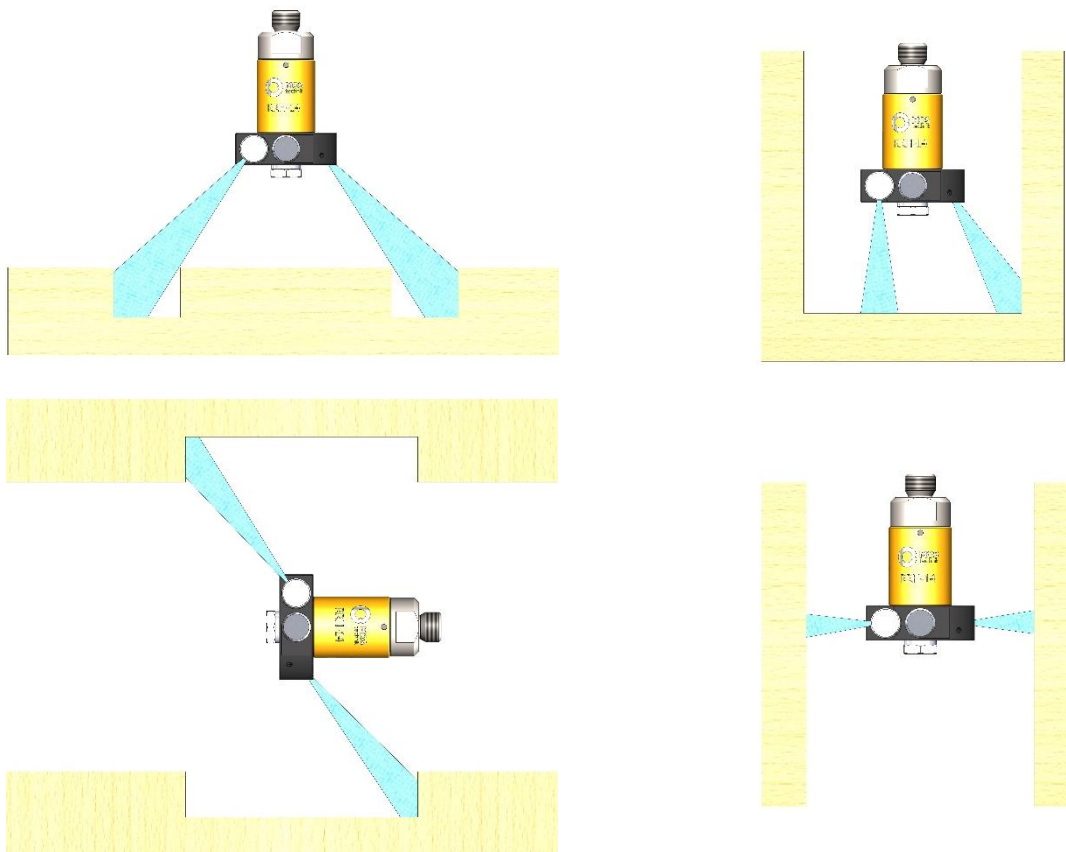
## *principle of operation*

"Hurricane" is a dynamic rotating nozzle, ensuring highly efficient and fast cleaning of surfaces thanks to the shock wave of compressed air. The rotational movement of the nozzles automatically blows air onto the surface from different angles. All dirt stuck in the grooves and other unevenness of the product surfaces are thus quickly removed.

The nozzle design ensures stable rotation regardless of the set parameters (inlet pressure, nozzle power). This leads, among other things, to a long nozzle life.

There are two output nozzles with a selectable hole diameter on the rotating part - which allows you to choose the ideal power / consumption ratio for any application.

The blowing angle of the two outlet nozzles is also adjustable independently of each other. This makes the nozzle very flexible for a number of industrial applications.



MOS "Hurricane" nozzles can be used both - on hand blow guns and integrated directly into your industrial facilities.

They can also be equipped with systems to remove static charge from the surface of your products.